



Jonathan Green

QUALITY LAWNS SINCE 1881

REMEMBER TO
"FEED YOUR SOIL"



THE NEW AMERICAN LAWN

THE NEW AMERICAN LAWN

DELUXE ROTARY SPREADER

Instruction Manual



www.jonathangreen.com

www.newamericanlawn.com

Read the instructions and precautions before using this spreader.

Spreader holds up to 15,000 sq. ft. of most products.

Do not discard - contains spreader settings.



TABLE OF CONTENTS

Helpful Hints, Component & Hardware	3
Assembly Instructions	4, 5, 6
Using Your Spreader	7
Spreading Instructions.....	8
Jonathan Green Product Spreader Settings	9
Maintenance and Storage	10
General Warnings and Rules.....	11
Hazard Signal Word Definitions	12
Parts Drawing & Parts List.....	13, 14

Helpful Hints

ASSEMBLY IS REQUIRED - READ THE DIRECTIONS BEFORE ASSEMBLY

- This product requires some assembly before use. See "Assembly" section for instructions. Because of the weight and size of the New American Lawn Deluxe Rotary spreader, it is recommended that another adult be present to assist with the assembly. **INSPECT ALL COMPONENTS** closely upon receipt to make sure no components are missing or damaged.
- Read this owner's manual before operating the equipment. Familiarize yourself with the location and function of the controls and features. Save this manual for future reference.
- If your spreader does not spread evenly, be sure the **FRONT** on the gear box points to the front of the spreader. The impeller must turn clockwise. Reversing the gear box will cause the impeller to turn counter clockwise. Clean the impeller plate after each use. Fertilizer stuck on the impeller blades will cause uneven spreading.
- Your spreader is designed to be pushed at three miles per hour, which is a brisk walking speed. Slower or faster speeds will change the spread patterns. Wet fertilizer will also change the spread pattern and flow rate. Clean your spreader thoroughly after each use. Wash between the shut off plate and bottom of the hopper.
- Gears are permanently lubricated at the factory. Do not open the gear box or dirt may enter.

! CAUTION

Read and follow all instructions for assembly and operation. Failure to properly assemble this equipment could result in serious injury to the user or bystanders, or cause equipment damage.

Remove and identify loose parts from carton and bag.



**Hex Bolt
M5x45
1 piece**



**Hex Bolt
M6x45
5 pieces**



**Lock Nut M5
1 piece**



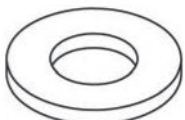
**Lock Nut M6
7 pieces**



**Flat Washer
Ø6
3 pieces**



**Flat Washer
Ø16
1 piece**



**Nylon Washer
4 pieces**



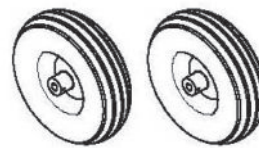
**Handle
Spacer
1 piece**



**End Cap
2 pieces**



**Hopper Assembly
1 piece**



**Wheel
2 pieces**



**Upper Handle
2 pieces**



**Handle
1 piece**



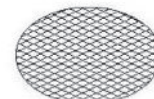
**Control Rod A
1 piece**



**Pivot & Bracket
1 piece**



**Gauge & Lever
Assembly
1 piece**



**Hopper
Screen
1 piece**



**Rain Cover
1 piece**

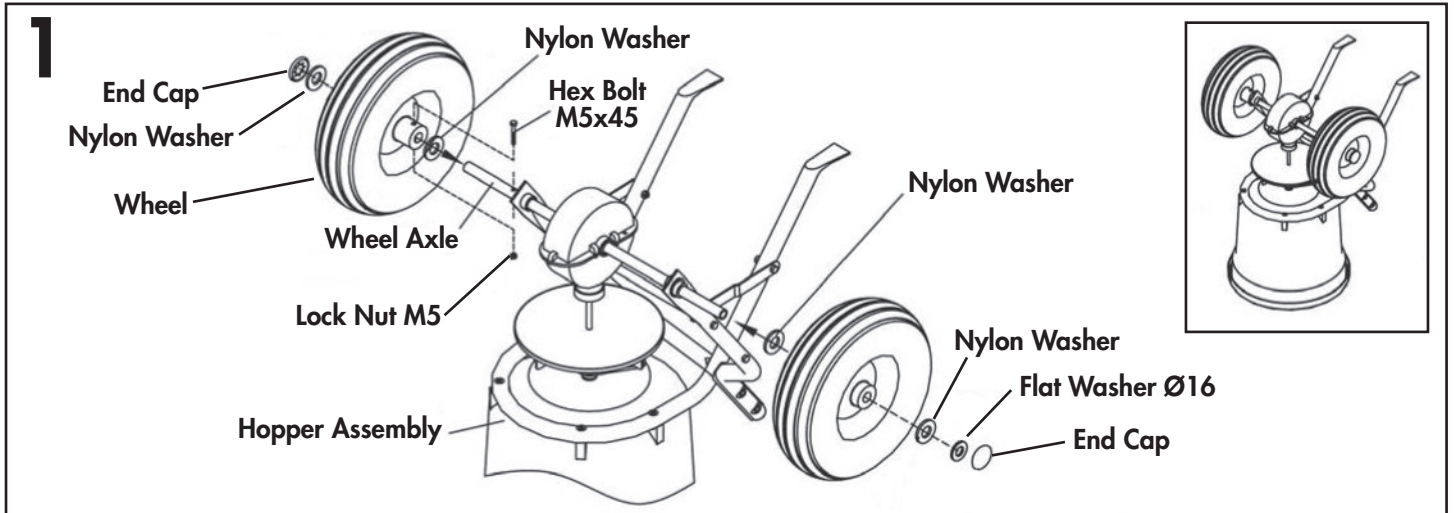
Assembly Instructions

STEP 1:

a) Attach nylon washers and wheel to the right side of the axle then inserting a M5 x 45 bolt and fastening with lock nut M5. Attach end cap by tapping with a wooden or rubber mallet.

b) Push another Wheel onto the axle. Insert nylon washers to the two sides of the wheel, then insert flat washer Ø16 and attach end cap by tapping with a wooden or rubber mallet.

NOTE: The nuts and bolts do not have to be completely tightened yet.

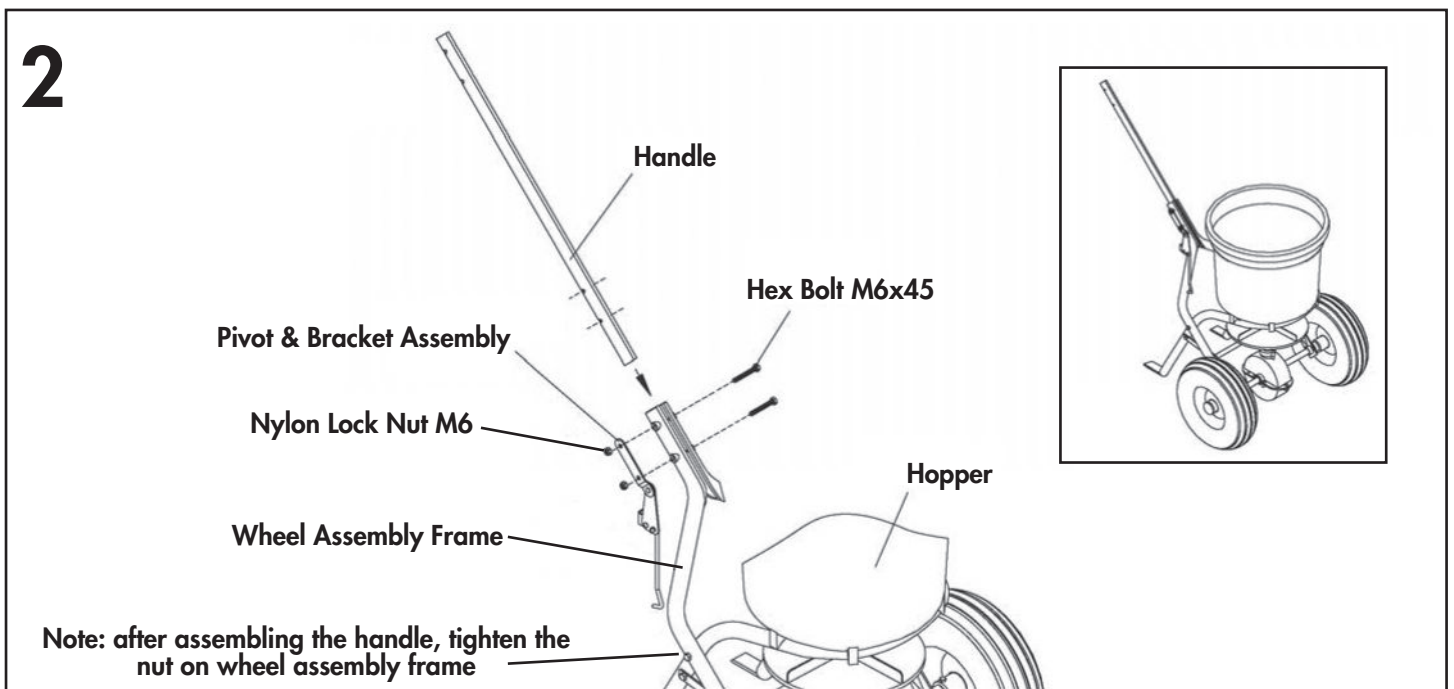


STEP 2:

Insert handle shaft between the top ends of the wheel assembly frames. Pass two bolts M6 x 45 through wheel assembly frames and handle shaft. Slip pivot and bracket assembly onto protruding bolt ends. Fasten with lock nuts M6. Pivot and bracket assembly should be on the right side of the handle when standing behind the spreader.

GO BACK AND TIGHTEN ALL NUTS AND BOLTS ASSEMBLED SO FAR. DO NOT OVER TIGHTEN.

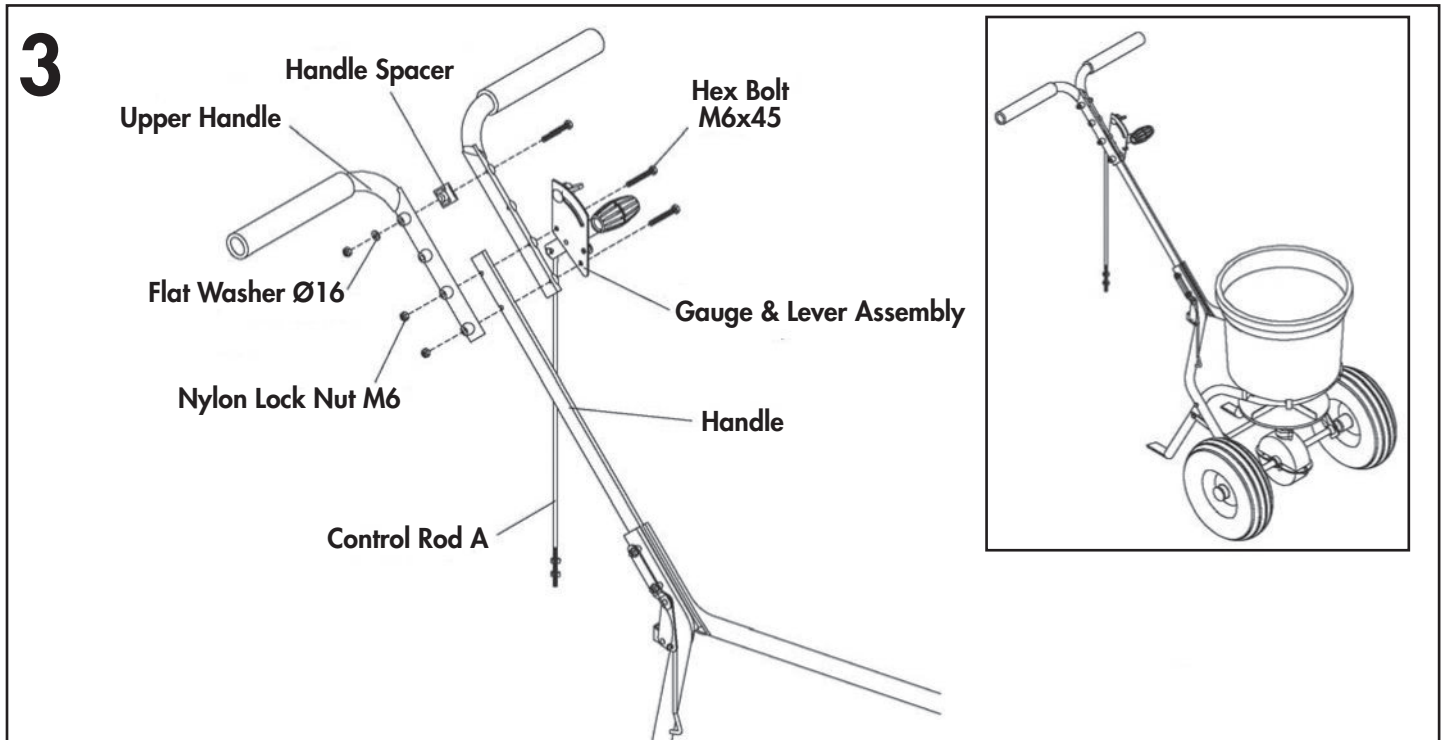
NOTE: The handle can be higher or lower depending on the user's preference. Before installing the gauge, upper handles and handle shaft, decide which of the three positions will be most comfortable for the operator. If the middle or upper positions are chosen, use a handle spacer in the hole nearest to the handle grips.



STEP 3:

a) Insert bolts M6 x 45 through the upper left handle, then through the handle spacer and upper handle on the right side, screw with flat washer Ø6 and lock nut M6. Slide gauge and lever assembly onto the bolts and fasten with lock nut M6.

b) Tighten lock nuts securely.



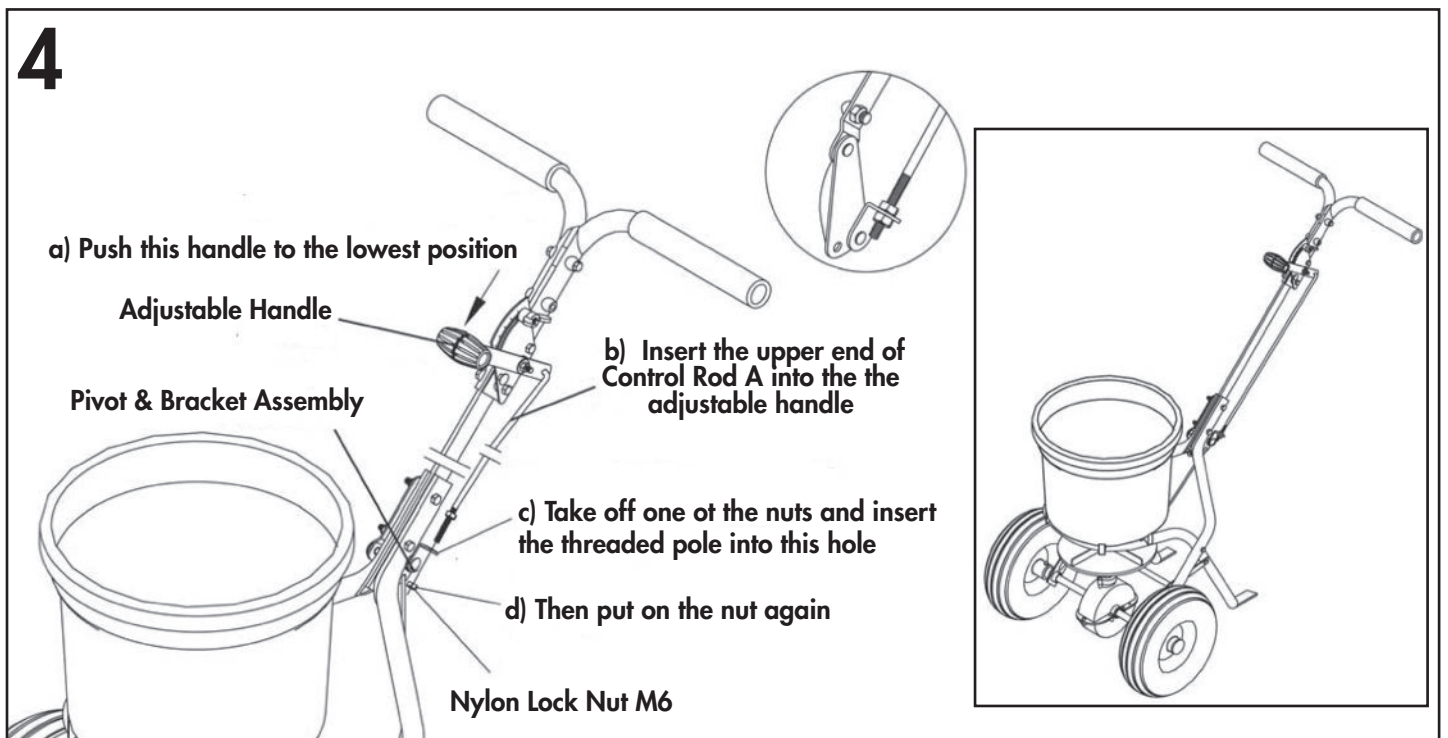
STEP 4:

a) Push the adjustable handle to the lowest position.

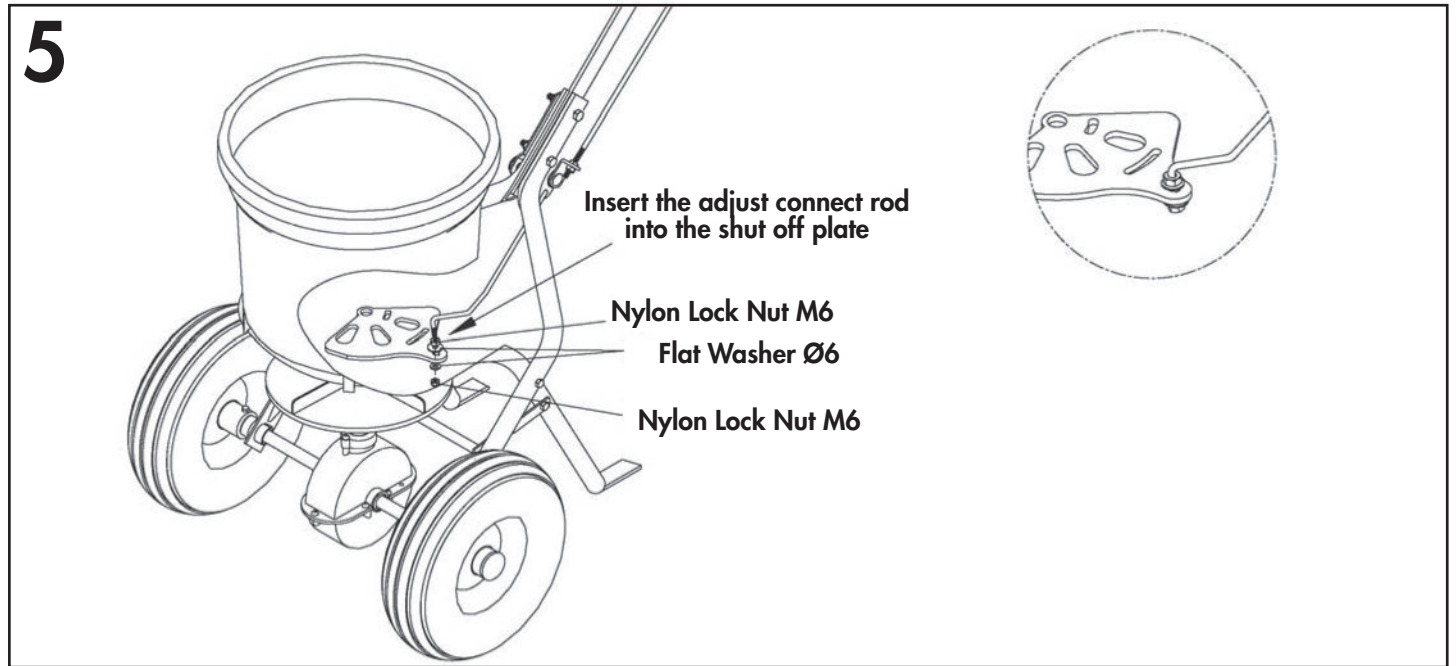
b) Insert the upper end of the control rod into the hole at the end of the adjustable handle.

c) Take lower nut off the bottom end of the control rod and insert rod into the hole in the pivot and bracket assembly.

d) Screw nut back into place.

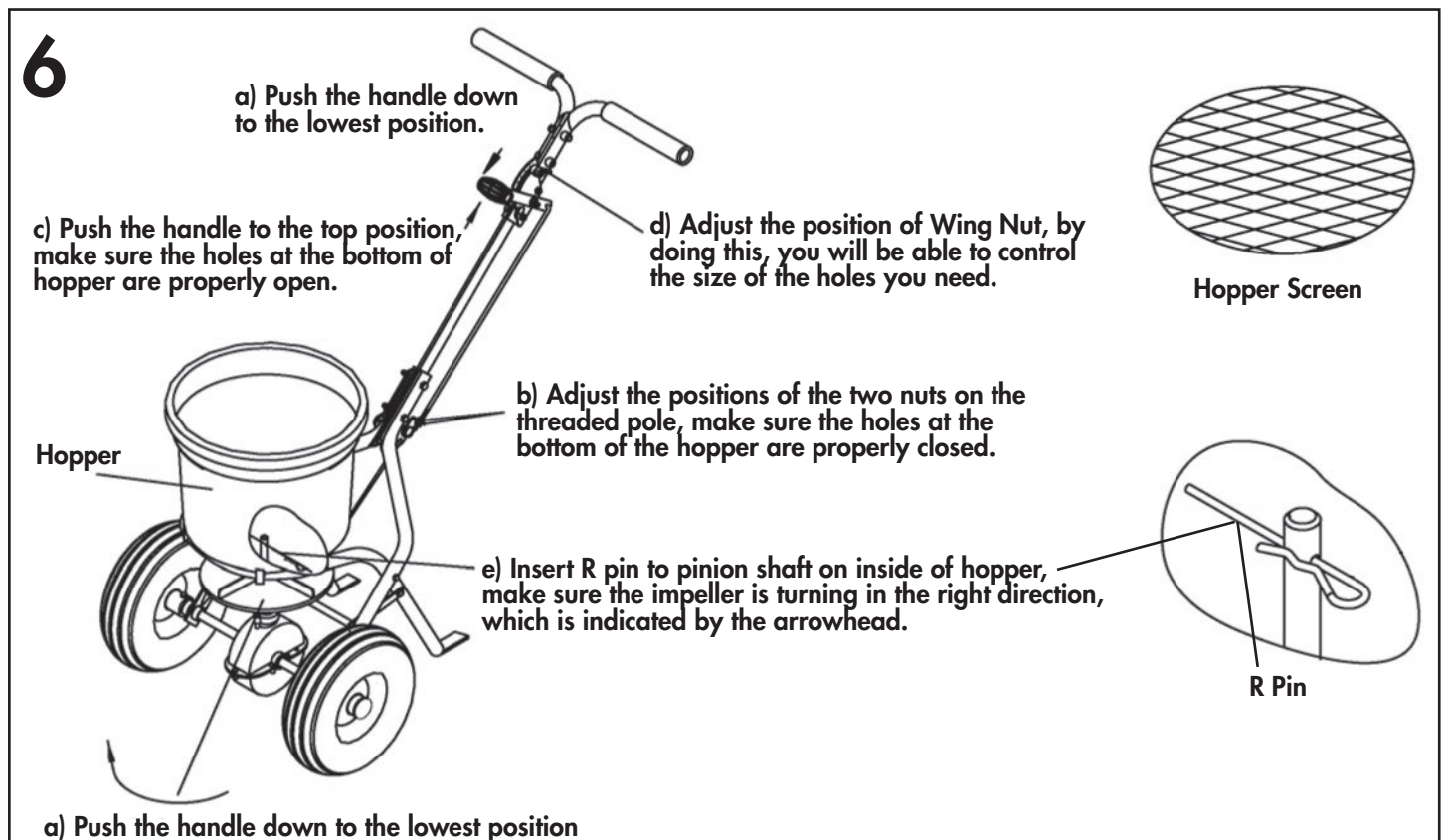


STEP 5: Insert the adjust connect rod into the shut off plate. Then secure the adjust connect rod to the shut off plate, using one flat washer and two lock nuts.



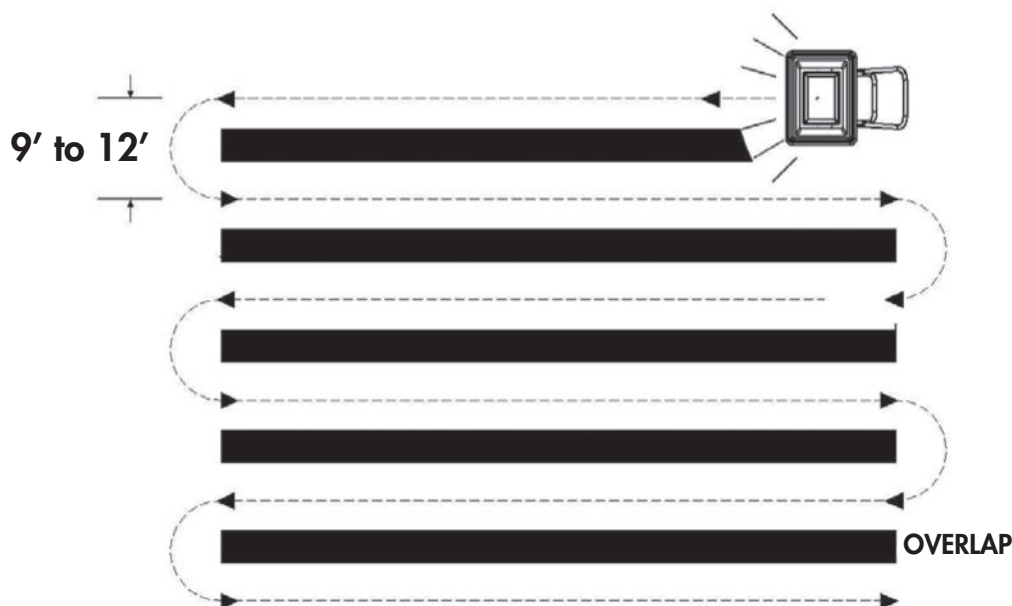
STEP 6:

- a) The three large holes at the bottom of the hopper should match the three holes in the adjustable plate. If they match, do nothing. If they do not match, push the handle down to the lowest position and adjust the positions of the two nuts on the threaded control bar until the three holes match up. If the holes are not properly aligned, the hopper will not close completely.
- b) To operate the spreader, push the handle up to the top position. Adjust the wing nut as needed to regulate the flow of material passing through the spreader.
- c) Insert R pin into the hole at the top of the axle spindle at the bottom of the hopper as shown. Make sure impeller is turning in the right direction as indicated by the arrow.
- d) Place hopper screen into the hopper.



Using Your Spreader

1. Determine approximate square footage of area to be covered and estimate amount of material required.
2. Before filling the hopper, make sure the flow control arm is in the off position and the closure plate is shut.
3. Break up any lumpy fertilizer as you fill the hopper.
4. Set the adjustable stop with the flow control arm still in the off position. Refer to the application chart on this page and to the instructions on the fertilizer bag to select the proper flow rate setting.
5. The application chart is calculated for light to heavy application at a vehicle speed of 3 mph, or 100 ft. in 23 seconds. A variation in speed will require an adjustment of the flow rate to maintain the same coverage. The faster you drive, the wider the broadcast width.
6. Make sure the drive pin is installed in the axle before starting the spreader.
7. Always start the spreader in motion before opening closure plate.
8. Always shut the closure plate before turning or stopping the spreader.
9. If fertilizer is accidentally deposited too heavily in a small area, soak the area thoroughly with a garden hose or sprinkler to prevent burning of the lawn.
10. To insure uniform coverage, make each pass so that the broadcast pattern slightly overlaps the pattern from the previous pass as shown in figure below. The approximate broadcast widths for different materials are shown in the application chart on this page.
11. When broadcasting weed control fertilizers, make sure the broadcast pattern does not hit evergreen trees, flowers or shrubs.



Spreading Instructions

CALCULATING AMOUNT OF MATERIAL NEEDED

To calculate the amount of fertilizer you will need to cover your lawn, divide the coverage amount listed on the label by the weight of the fertilizer bag. For example a 10 lb. bag of fertilizer with coverage of 10,000 square feet will distribute 1 lb. of fertilizer every 1,000 square feet at full rate or 1/2 lb. of fertilizer every 1,000 square feet at half rate. For pre-calculated rates see **Chart A** (Example: 25 lb. bag with 15,000 sq. ft. coverage = 1.7 lb./1,000 sq. ft.). Use **Chart B** to find the closest spreader setting for Fertilizer (Example: 1.7 lb./1000 sq. ft. = Spreader Setting of 5). Use **Chart C** to find the closest spreader setting for Grass Seed.

Chart A - Square Foot Coverage per Bag*

Weight of Bag (LBS.)	LBS. per 1,000 SQ. FT.		
	5,000 SQ. FT. COVERAGE	10,000 SQ. FT. COVERAGE	15,000 SQ. FT. COVERAGE
5	1.0 LB.	0.5 LB.	0.3 LB.
10	2.0 LB.	1.0 LB.	0.7 LB.
15	3.0 LB.	1.5 LB.	1.0 LB.
18	3.6 LB.	1.8 LB.	1.2 LB.
20	4.0 LB.	2.0 LB.	1.3 LB.
25	5.0 LB.	2.5 LB.	1.7 LB.
30	6.0 LB.	3.0 LB.	2.0 LB.
35	7.0 LB.	3.5 LB.	2.3 LB.
40	8.0 LB.	4.0 LB.	2.7 LB.
45	9.0 LB.	4.5 LB.	3.0 LB.
50	10.0 LB.	5.0 LB.	3.3 LB.

*These are only estimates actual amounts may vary.

THESE ARE APPROXIMATE SETTINGS AND ARE INTENDED AS A GUIDE ONLY.

Chart B - FERTILIZER Spreader Settings/Spread Widths

LBS. PER 1,000 SQ. FT.	SPREADER SETTING	● SMALL PARTICLE SPREAD	● MEDIUM PARTICLE SPREAD	● LARGE PARTICLE SPREAD
1	3	5-6 FT.	6-9 FT.	9-12 FT.
2	5	5-6 FT.	6-9 FT.	9-12 FT.
3	7	5-6 FT.	6-9 FT.	9-12 FT.
4	10	5-6 FT.	6-9 FT.	9-12 FT.
5	12	5-6 FT.	6-9 FT.	9-12 FT.
6	15	5-6 FT.	6-9 FT.	9-12 FT.
7	17	5-6 FT.	6-9 FT.	9-12 FT.
8	20	5-6 FT.	6-9 FT.	9-12 FT.
9	22	5-6 FT.	6-9 FT.	9-12 FT.
10	25	5-6 FT.	6-9 FT.	9-12 FT.

**Chart C - GRASS SEED
Spreader Settings**

LBS. PER 1,000 SQ. FT.	SPREADER SETTING
1	12
2	13
3	14
4	15
5	16
6	17
7	18
8	19
9	20
10	21

NOTE: DO NOT SPREAD SALT. Spreading salt in this spreader may damage the mechanism and shorten the life of the machine.

Jonathan Green Product Spreader Settings

! CAUTION

These are approximate settings and are intended as a guide only. Variations in materials, walking speed, terrain, weather conditions, age and condition of spreader, etc. can affect setting. If unsure, start at a lower setting and increase if necessary. Always calibrate your spreader before using.

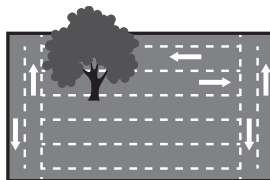
GRASS SEEDS	OVERSEEDING	NEW LAWNS	ORGANICS		
Black Beauty (Original)	14	Apply a second	Organic Lawn Food	17	
Black Beauty Ultra	13		Organic Weed Preventer	12	
Dense Shade	14	time to the same area	Organic Insect Control	10	
Fall Magic	14		using the rates listed	LAWN FOODS	
Fast Grow	13			Green-Up with Crabgrass Preventer	15
Full Sun (Sunny)	12	Green-Up Weed & Feed		14	
Heavy Traffic	13	Summer Survival Lawn Food		14	
Quik-Start	12	on left.	Winter Survival Fall Lawn Food	12	
Shady Nooks	14		Crabgrass Preventer plus New Seeding	12	
Sun & Shade	12	←	Green-Up Lawn Food	15	
Sod Maker	9		Green-Up Lawn Food for Seeding and Sodding	12	
Touch-Up	14		LAWN CONTROLS		
SOIL FOODS			Crabgrass & Weed Preventer	11	
Love Your Soil		12	Grub & Insect Control	10	
MAG-I-CAL - Acidic (silver)		12	Lawn Fungus Control	10	
MAG-I-CAL - Alkaline (blue)		14	Lawn Moss Control	13	
			Lawn Weed Control	11	

**Review product package for other details or spreader rates.
Settings for other brands are on package or go to www.jonathangreen.com**

USAGE TIPS

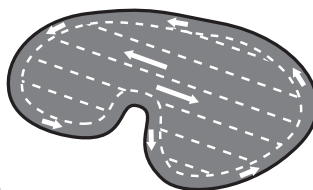
For rectangular lawns

Apply two header strips across each end for a turning area. Then apply back and forth in the longest direction.



For irregular-shaped lawns

Apply a header strip around the entire lawn for a turning area, then apply back and forth.

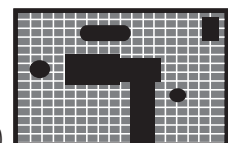


Note:

Each pass should be within 5 feet of each other to ensure an overlap.

- Do not leave spreader open when making turns.
- For best results, do not apply on a windy day.
- Swath will vary due to conditions. (see above caution)
- To determine how much coverage you need, multiply the length of your lawn by its width. This equals your total square footage. Deduct any non-lawn areas (house, gardens, walkways, etc.).

- _____ Length (Feet)
- X** _____ Width (Feet)
- =** _____ Total Square Feet
- _____ Non-Lawn Areas (Feet)
- =** _____ Total Square Feet coverage you need



Keep lawn products out of reach of children. Do not apply near water, storm drains, or drainage ditches. Do not apply if heavy rain is expected. Apply only to your lawn or garden and sweep any product that lands on the driveway, sidewalk or street back onto your lawn or garden. Also, sweep product off concrete surfaces to avoid staining.

Maintenance and Storage

WARNING

Improper maintenance and storage of this spreader may void your warranty.

Maintenance

- After each use clean material out of hopper.
- Rinse/dry inside and outside of the spreader after each use.
- Before operating make sure the tires have the RECOMMENDED TIRE PRESSURE 25 PSI.
- Periodically check all fasteners for tightness.
- Annually clean and lightly lubricate parts.
- Use a glossy enamel spray paint to touch up scratched or worn painted metal surfaces.
- Never exceed load capacity rating, it will damage the spreader.

IMPORTANT

The warnings, cautions, and instructions outlined in this instruction manual cannot cover all possible conditions or situations that may occur. It must be understood by the operator that common sense and caution are factors which cannot be built into this product and must be supplied by the operator.

Storage

- Never allow material to remain in the hopper for extended periods of time.
- Before storing make sure the spreader is clean and dry for years of trouble free service.
- Store indoors or protected area during severe weather and winter months.

The manufacturer reserves the right to make improvements in design and/or changes in specifications at any time without incurring any obligation to install them on units previously sold.

⚠️ GENERAL WARNINGS ⚠️

READ and UNDERSTAND this manual completely before using The New American Lawn Deluxe Rotary Spreader.

Operator must read and understand all safety and warning information, operating instructions, maintenance and storage instructions before operating this equipment. Failure to properly operate and maintain the New American Lawn Deluxe Rotary spreader could result in serious injury to the operator or bystanders.

Operation Warnings

- Do not at any time carry passengers sit or stand on the spreader.
- Do not allow children to play on, stand upon or climb in the spreader.
- Always inspect the spreader before using to assure it is in good working condition.
- Replace or repair damaged or worn parts immediately.
- Always check and tighten hardware and assembled parts before operation.
- Do not exceed equipment maximum load capacity.
- Avoid large holes and ditches when transporting loads.
- Be careful when operating on steep grades (hill) the spreader may tip over.
- Do not push close to creeks, ditches and public highways.
- Do not use spreader on windy days when spreading grass seed or herbicides.
- Always use caution when loading and unloading spreader.
- Never tow the spreader with a motorized vehicle.

Crush and Cut Hazards

- Always keep hands and feet clear from moving parts while operating the equipment.
- Always clear and keep work area clean when operating.
- Always wear safety gear, eye protection, gloves and work boots when operating the spreader.






⚠️ WARNING

The warnings, cautions, and instructions outlined in this instruction manual cannot cover all possible conditions or situations that may occur. It must be understood by the operator that common sense and caution are factors which cannot be built into this product and must be supplied by the operator.

⚠️ PROP 65 WARNING

This product contains chemicals known to the state of California to cause cancer, birth defects, or other reproductive harm.

Hazard Signal Word Definitions

	This is the safety alert symbol. It is used to alert you to potential personal injury hazards. Obey all safety messages that follow this symbol to avoid possible injury or death.
	DANGER indicates an imminently hazardous situation which, if not avoided, will result in death or serious injury.
	WARNING indicates a potentially hazardous situation which, if not avoided, could result in death or serious injury.
	CAUTION indicates a potentially hazardous situation which, if not avoided, may result in minor or moderate injury.
	CAUTION used without the safety alert symbol indicates a potentially hazardous situation which, if not avoided, may result in property damage.

ABOUT YOUR NEW AMERICAN LAWN DELUXE ROTARY SPREADER

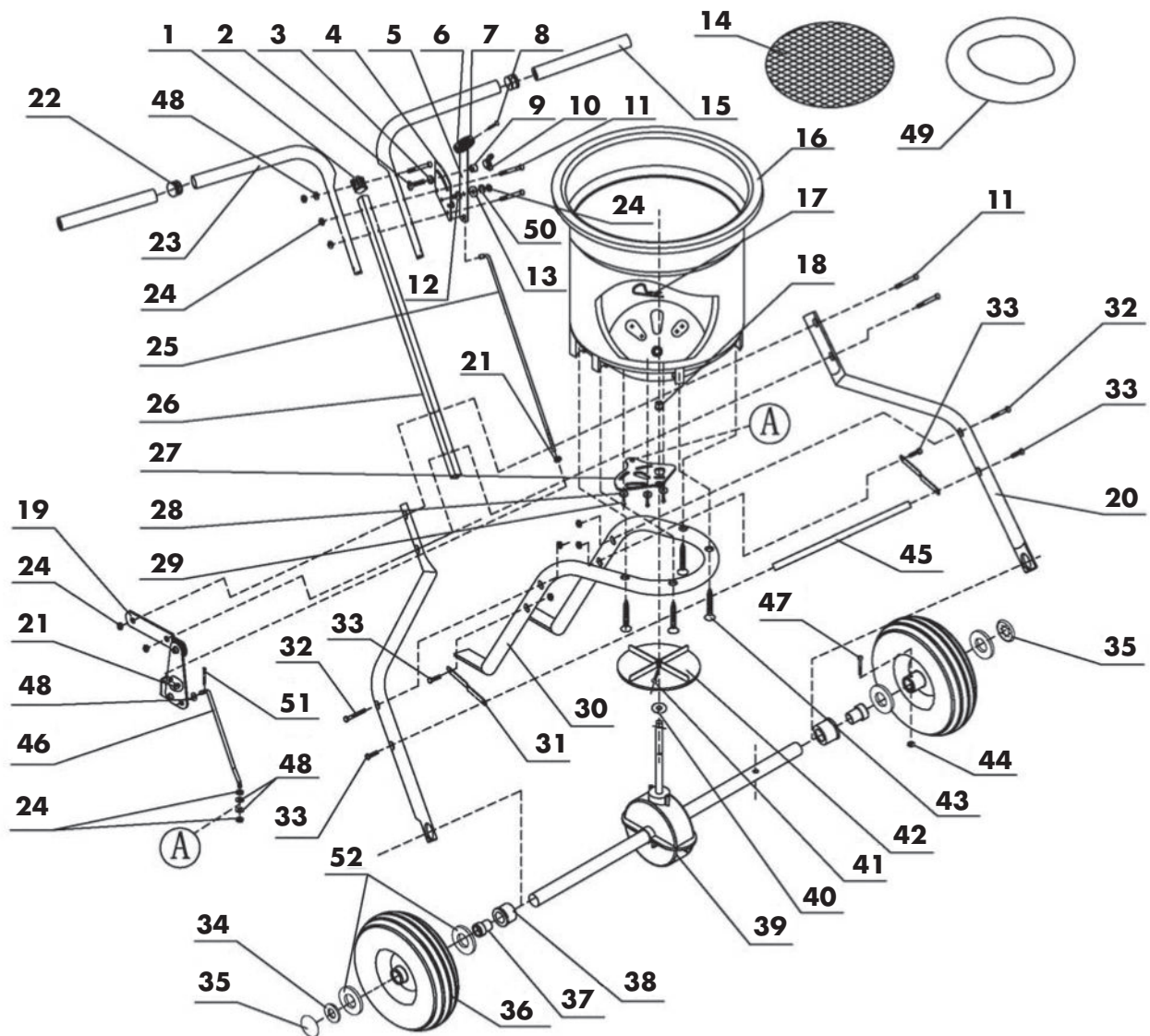
This New American Lawn Deluxe Rotary spreader is designed to spreader a wide range of materials (Fertilizer and Grass Seed). Never exceed the rated load capacity when operating the spreader.

Your spreader needs to be pushed at three miles per hour, which is a brisk walking speed. Slower or faster speeds will change the spread patterns. Wet spreading material will also change the spread pattern and flow rate. Clean your spreader thoroughly after each use. Wash between the shut off plate and bottom of the hopper.

Ensure that the FRONT of the gear box points to the front of the spreader. The impeller must turn clockwise. Reversing the gear box will cause the impeller to turn counter clockwise. Clean the impeller plate after each use. Spreading material stuck on the impeller blades will cause uneven spreading.

Do not open the gear box or dirt may enter the gears, which are permanently lubricated at the factory.

Parts Drawing



Parts List

REF#	DRAWING NO.	DESCRIPTION	QTY
1	N570-00012-000	Handle Spacer	1
2	9114-06025-DG	Carriage Bolt M6x25	1
3	9315-08000-DG	Teeth Washer Ø8	1
4	N570-10000-000	Gauge & Lever Assembly	1
5	N570-00001-000	Adjust Handle Pole	1
6	N570-00014-000	Adjust Handle A	1
7	N570-00015-000	Adjust Handle B	1
8	9199-04018-DG	Screw ST4.2x18	1
9	N510-00016-000	Spacer	1
10	N510-00019-000	Wing Nut M6	1
11	9101-06045-DG	Hex Bolt M6x45	5
12	C130-00004-000	Nylon Washer	1
13	9302-06000-DG	Big Flat Washer Ø6	1
14	N570-00016-000	Hopper Screen	1

REF#	DRAWING NO.	DESCRIPTION	QTY
15	N570-00009-000	Handle Cover	2
16	N570-00013-000	Hopper	1
17	N578-00001-000	R Pin	1
18	N570-00019-000	Hopper Bushing	1
19	N570-30000-000	Pivot & Bracket Assembly	1
20	N570-00007-000	Wheel Assembly Frame	2
21	9201-06000-DG	Hex Nut M6	2
22	T680-00003-000	End Cover	2
23	N570-00006-000	Handle	2
24	9206-06000-DG	Lock Nut M6	12
25	N570-00003-000	Control Rod A	1
26	N570-00005-000	Handle Shaft	1
27	N510-00023-000	Shut off plate	1
28	9302-04000-DG	Big Flat Washer Ø4	3
29	9199-04012-DG	Screw ST4.2x12	3
30	N570-00008-000	Frame	1
31	N570-00010-000	Frame Brace	2
32	9101-06060-DG	Hex Bolt M6X60	2
33	9101-06035-DG	Hex Bolt M6X35	4
34	9301-16000-DG	Flat Washer Ø16	1
35	N511-40000-000	End Cap	2
36	N570-00020-000	Pneumatic Wheel	2
37	N570-00018-000	Inner Axle Bushing	2
38	N570-00011-000	Outer Axle Bushing	2
39	N578-01000-000	Gear Box & Axle Assemble	1
40	N570-00002-000	Thin Washer	1
41	9199-04020-DG	Screw M4x20	1
42	N510-00003-000	Impeller	1
43	9199-06040-DG	Screw ST6.3X40	4
44	9206-05000-DG	Hex Lock Nut M5	1
45	N570-00021-000	Cross Brace	1
46	N570-00004-000	Adjust Connect Rod B	1
47	9101-05045-DG	Hex Bolt M5X45	1
48	9301-06000-DG	Flat Washer Ø6	3
49	N570-00022-000	Rain Cover	1
50	9306-06000-DG	Lock Washer Ø6	1
51	9404-02010-DG	Cotter Pin Ø2x10	1
52	N570-00027	Nylon Washer	4